



ADDENDUM 3

Issue Date October 24, 2023

Solicitation 2023-3980

To Offerors:

The following additions, deductions, changes and corrections to the proposal and specifications for the above referenced project shall hereby be incorporated into the work, and their effect on the proposal shall be reflected in the Offeror's proposal. Offerors shall also verify this fact by indicating the receipt of the addendum in their proposal.

Additions, deductions, changes and/or corrections:

Questions:

- 1. I am looking over the addendums and the solicitation number does not match the job ITB. Fortney says it is #3980 and the addendum says #3890.
The number 3890 in the addendum is incorrect, it should read 3980.*
- 2. With add. 1 are we supposed to be replacing the flooring if needed?
The existing VCT tiles will be replaced with LVT only where they occur. Addendum 1 only changes the product specification requirements.*
- 3. And is the bid date officially changed to 10/31?
Yes, the bid due date changed to Tuesday October 31 at 11:00 am*

Additions:

1. On all units - Replace shut off valves below Kitchen Sink.
2. On all units - Repair and close wall below kitchen sink as needed.
3. Entry Porch repair and power wash ceiling siding.
4. On units 1, 3 & 4 - replace kitchen cabinets to match unit 2 cabinets. Construction shall be High grade (all plywood construction), hinges shall be heavy duty. Countertop and door knobs as specified in SOW. Double sink with all new plumbing fixtures and accessories. Summit the cabinets shop drawing for approval before ordering,
5. On all units - Replace bathtub. Model Performa 71041110 by Sterling or as approved similar, color white, size 60"x29". The contractor is responsible to verify dimensions before ordering equipment.
6. On all units - Install Bathtub surround wall set. Model Performa 71044100 by Sterling or as approved similar, color white, size 60"x30". The contractor is responsible to verify dimensions before ordering equipment. Caulk all seams.

1627 WESTERN AVENUE, CINCINNATI, OHIO 45214

Phone: (513) 333-0670 Fax: (513) 977-5606 TDD: (513) 977-5807 Website: www.cintimha.com

Equal Opportunity Employer, Equal Housing Opportunities

7. On all units – Replace bathroom (one per unit) and kitchen (two per unit) existing outlets with GFI ones.
8. On all units – Install new wall brackets for the new air conditioners, remove existing brackets where necessary.

Change:

1. Bid Due Date / Time: changes from Thursday October 26 at 11:00 a.m. to Tuesday October 31 at 11:00 a.m.

1627 WESTERN AVENUE, CINCINNATI, OHIO 45214

Phone: (513) 333-0670 **Fax:** (513) 977-5606 **TDD:** (513) 977-5807 **Website:** www.cintimha.com

Equal Opportunity Employer, Equal Housing Opportunities



Features

- Durable high-gloss finish.
- 60" (1524 mm) x 29" (737 mm) x 15" (381 mm) complete unit finished dimensions.

Material

- Compression molded from our exclusive solid Vikrell® material.

Recommended Products/Accessories

- K-23726 Drain treatment
- K-23733 Vikrell® cleaner



ADA

Codes/Standards

- CSA B45.5/IAPMO Z124
- ASTM E162
- ASTM E662
- ADA
- ICC/ANSI A117.1
- HUD, UM Bulletin 73

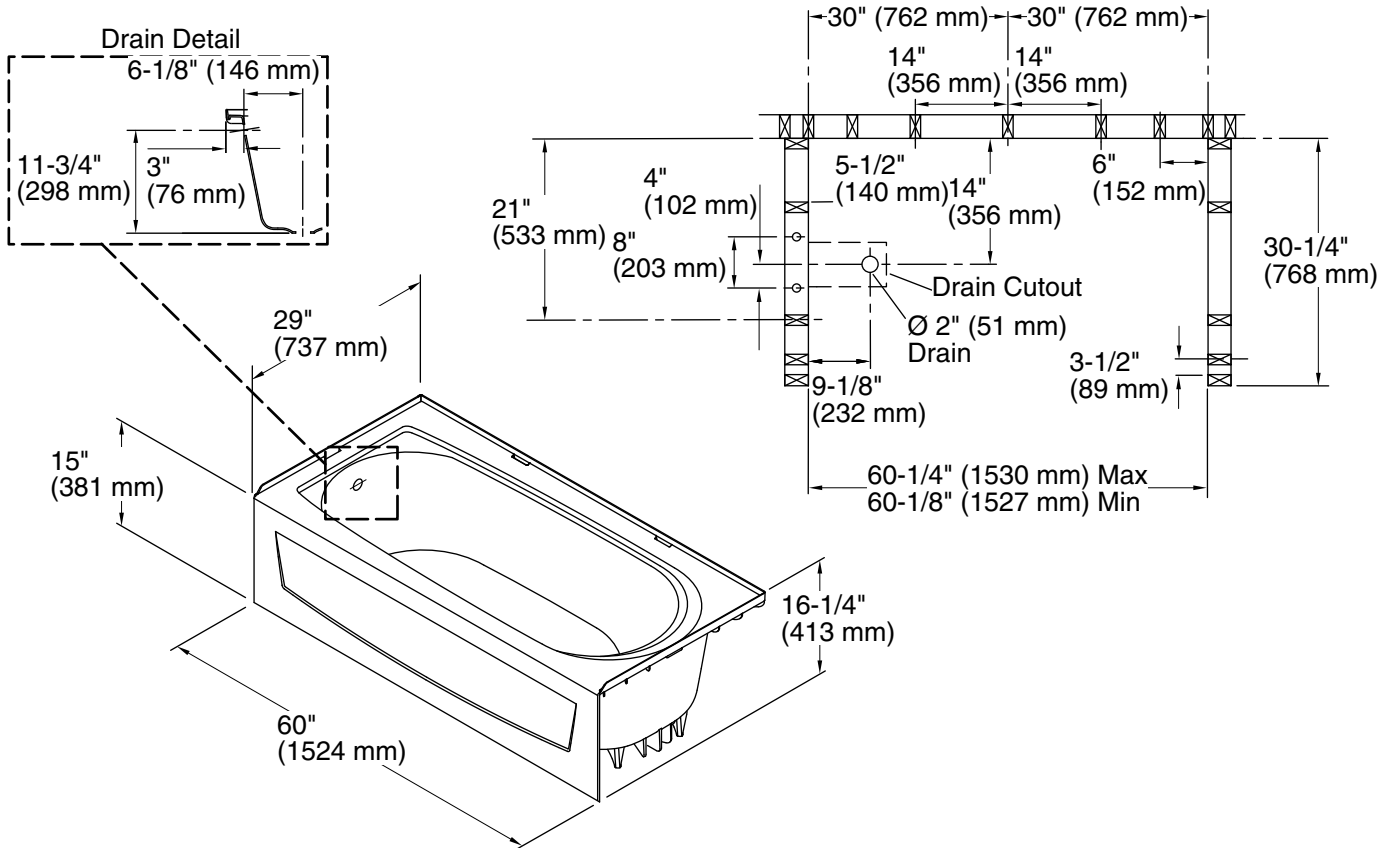
Warranty – Bathing Fixtures (and) Kitchen and Utility Sinks Made of Solid Vikrell® Material

See website for detailed warranty information.

Available Colors/Finishes

Color tiles intended for reference only.

Color	Code	Description
	0	White
	96	KOHLER Biscuit



Technical Information

All product dimensions are nominal.

Installation:	Three-wall alcove
Drain location:	Left
Basin area, bottom:	21" x 39" (533 mm x 991 mm)
Basin area, top:	24" x 53" (610 mm x 1346 mm)
Water depth:	10-1/4" (260 mm)
Water capacity:	35 gal (132.5 L)
Minimum flat for door:	1-3/4" (44 mm)
Maximum door width:	60" (1524 mm)

Notes

- Install this product according to the installation instructions.
- Studs should be positioned roughly as shown.
- Double studding is recommended for pivot shower door installations.
- ADA compliant when installed to the specific requirements of these regulations.



Performa™

60" x 30" bath/shower wall set

✓ **71044100**



Features

- Tongue-and-groove walls with snap-together installation.
- High-gloss walls.
- Full caulking required in all seams.
- Molded-in shelving and acrylic towel bar.
- Compatible with Performa bath (71041110, 71041120, 71041112, 71041122)

Material

- Made from solid Vikrell® material for strength, durability, and lasting beauty.

Recommended Products/Accessories

- 500C-59 Framed sliding bath door
- 690B-59 Framed sliding bath door
- 5405-59 Frameless sliding bath door
- 5900-57 Framed sliding bath door
- 5900-59 Framed sliding bath door
- 5905-57 Framed sliding bath door
- 5905-59 Framed sliding bath door
- 5906-59 Framed sliding bath door
- 5907-59 Framed sliding bath door
- 542808-59 Frameless sliding bath door
- 572005-59 Framed sliding shower door
- 581005-59 Frameless sliding bath door
- 80001012 12" straight grab bar
- 80001018 18" straight grab bar
- 80001024 24" straight grab bar
- 80011032 32" straight grab bar
- 80001036 36" straight grab bar
- VA-80172 30" x 35" window trim kit
- K-23733 Vikrell® cleaner



Codes/Standards

- CSA B45.5/IAPMO Z124
- ASTM E162
- ASTM E662

Warranty – Bathing Fixtures (and) Kitchen and Utility Sinks Made of Solid Vikrell® Material

See website for detailed warranty information.

Available Colors/Finishes

Color tiles intended for reference only.

Color	Code	Description
	0	White
	96	KOHLER Biscuit



Performa™
60" x 30" bath/shower wall set
71044100

No image available.
This product is a component and not intended to be a standalone installation.

Technical Information

All product dimensions are nominal.

Installation: Three-wall alcove

Notes

Install this product according to the installation instructions.



WALK THROUGH SIGN SHEET

Solicitation 2023-3890

Date Oct 19, 2023

FILL IN BLOCK LETTER

<input type="checkbox"/>	Company / Name	CMHA / Alberto Gomez, Construction Project Manager
<input type="checkbox"/>	Email / Phone No.	alberto.gomez@cintimha.com / (513) 615-2876

<input type="checkbox"/>	Company / Name	Funke Real Estate Group / Jodi Funke
<input type="checkbox"/>	Email / Phone No.	jodi@funkereg.com 513-256-6208

<input type="checkbox"/>	Company / Name	G master Remodeling Construction
<input type="checkbox"/>	Email / Phone No.	Gmaster933@yahoo.com 839 9129693

<input type="checkbox"/>	Company / Name	Chose Construction
<input type="checkbox"/>	Email / Phone No.	Alon@thachoseguys.com 513 382 7588

<input type="checkbox"/>	Company / Name	S2 construction Co
<input type="checkbox"/>	Email / Phone No.	m9tufford@s2cco.com 513-223-4589

<input type="checkbox"/>	Company / Name	CPAUVENS 3 ASS
<input type="checkbox"/>	Email / Phone No.	JRCPAUVENS53@yahoo.com 513-213-3559

<input type="checkbox"/>	Company / Name	Preston Floor Care Don Preston
<input type="checkbox"/>	Email / Phone No.	Prestonfloorcare@gmail.com 513-468-7142

<input type="checkbox"/>	Company / Name	Triton Services Inc. Nikki Bishop
<input type="checkbox"/>	Email / Phone No.	nbishop@tritonservicesinc.com 513-679-6900

<input type="checkbox"/>	Company / Name	
<input type="checkbox"/>	Email / Phone No.	

<input type="checkbox"/>	Company / Name	
<input type="checkbox"/>	Email / Phone No.	